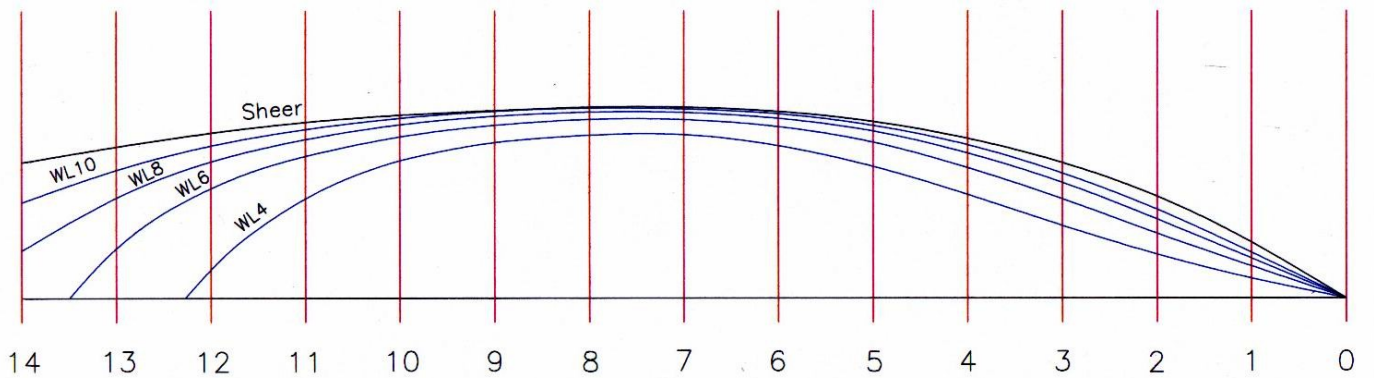
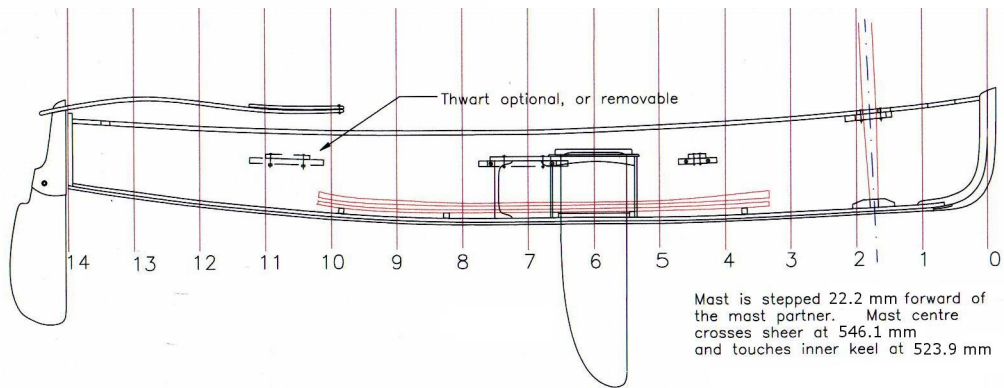
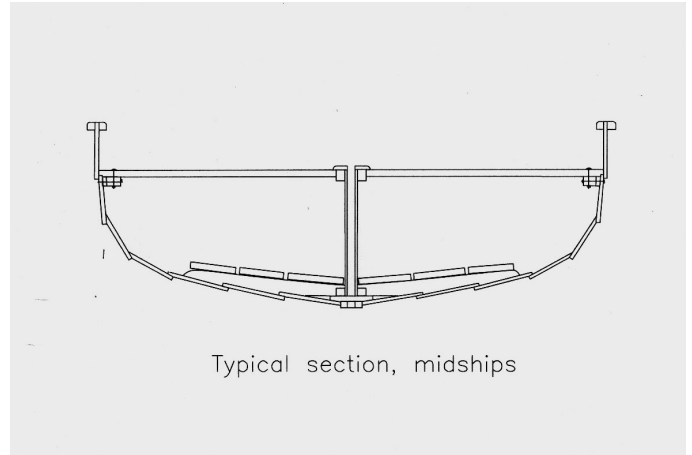
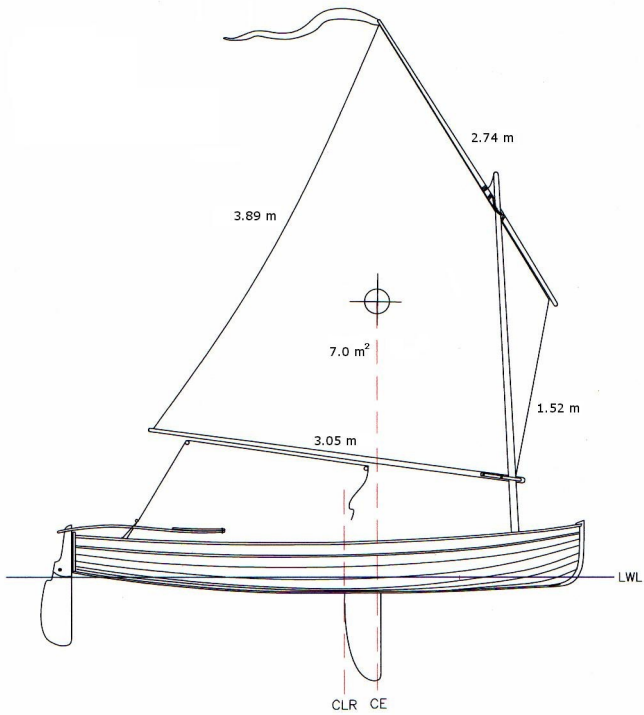
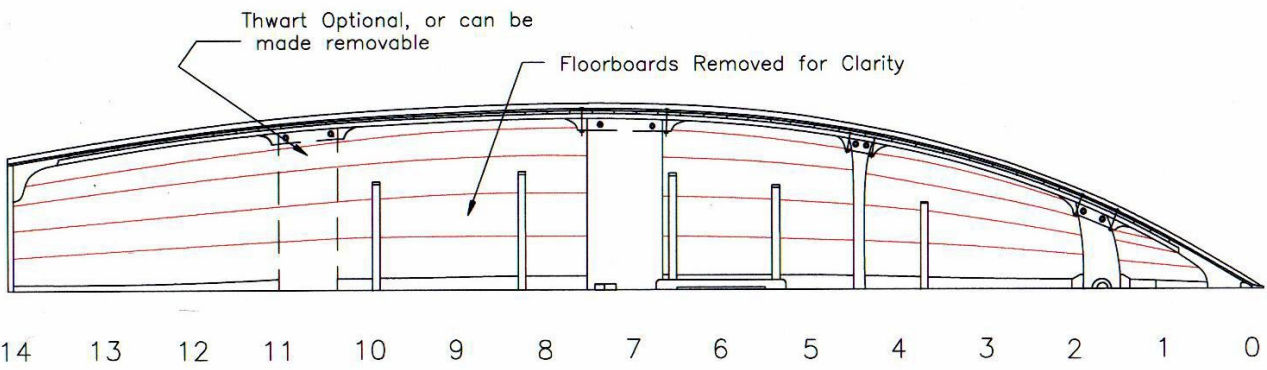
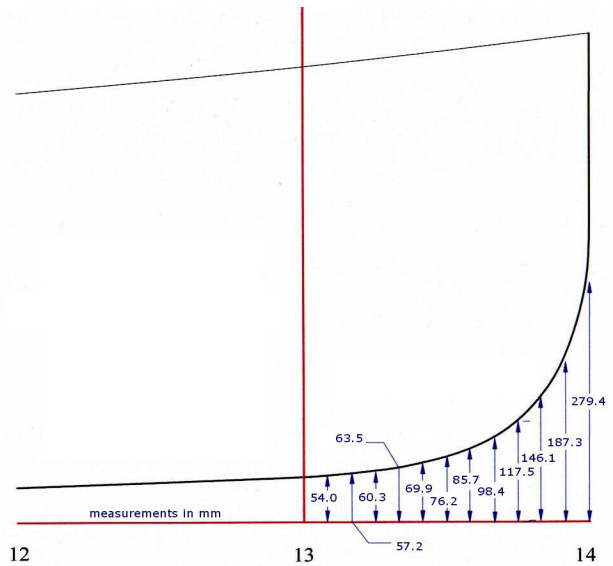
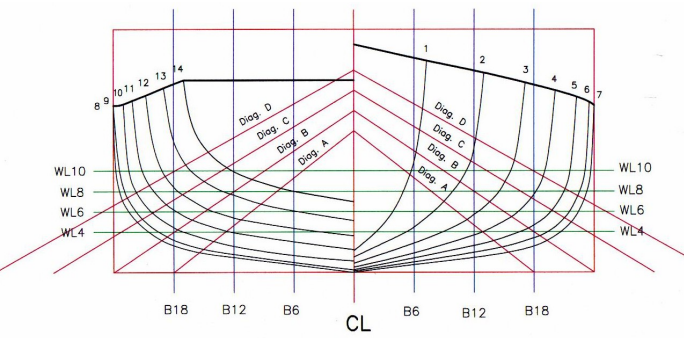
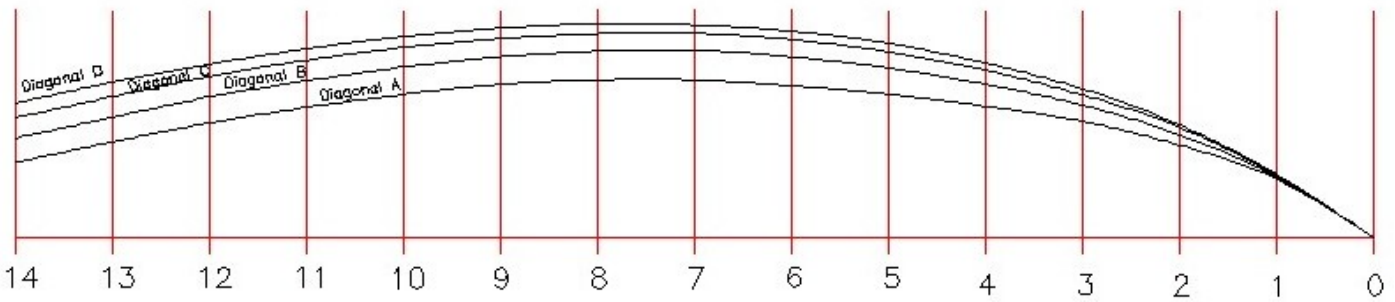
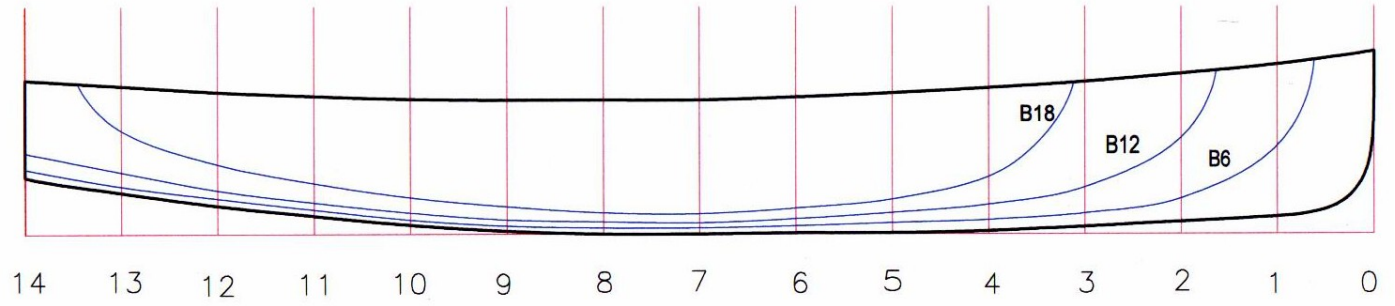


Lines





Offsets

*** Offsets in millimeters to the inside of the planking ***

Heights above baseline

Buttcks spaced at 152.4 mm intervals from CL

STA	Sheer	Butt18	Butt12	Butt6	Keel
0	565	-	-	-	279
1	530	-	-	276	054
2	502	-	302	111	038
3	476	-	146	070	022
4	457	194	092	045	013
5	441	118	067	035	006
6	429	086	048	025	003
7	422	064	035	019	000
8	419	067	038	019	000
9	419	086	045	026	007
10	426	114	067	045	029
11	432	159	098	076	057
12	441	219	137	111	092
13	460	324	194	149	130
14	483	-	254	203	178

Halfbreadths from CL

Waterlines spaced at 50.8 mm intervals, starting 101.6 mm above baseline at WL4

STA	Sheer	WL10	WL8	WL6	WL4
0	000	-	-	-	-
1	184	146	124	098	057
2	330	279	254	200	133
3	435	400	372	311	229
4	511	492	464	419	324
5	565	553	527	499	422
6	597	587	568	549	495
7	610	606	591	572	524
8	610	606	594	572	521
9	597	597	581	553	486
10	584	575	553	518	422
11	562	540	502	448	302
12	527	489	422	333	083
13	483	413	305	140	-
14	432	346	479	-	-

Diagonals

Diag. A – 355.6 mm up on CL, 457.2 mm out on baseline

Diag. B – 406.4 mm up on CL, 609.6 mm out on baseline

Diag. C – 457.2 mm up on CL, 762.0 mm out on baseline

Diag. D – 508.0 mm up on CL, 914.4 mm out on baseline

STA	Diag. A	Diag. B	Diag. C	Diag.D
0	-	-	-	-
1	181	191	194	200
2	289	324	346	352
3	365	416	448	467
4	413	483	527	549
5	451	533	587	613
6	476	568	622	651
7	499	591	645	667
8	495	587	641	673
9	483	568	626	657
10	451	537	597	632
11	410	492	556	594
12	362	445	508	546
13	299	378	441	489
14	235	311	375	422

